



MODULAR WINDBREAKS  
OASIdehor® STARUP&DOWN  
EXPORT PRICE-LIST, DEALERS  
ISSUE 01/2017



OASIdehor® STARUP&DOWN  
Its height can be extended to  
needs and permits a full  
protection against bad weather.



OASIdehor® STARUP&DOWN is made up of two parts: one is fixed and the other one is movable. The movable module can be easily raised and lowered thanks to a patented system, allowing to completely close the outdoor space in height, thus avoiding expensive and anti-aesthetical protections in fabric or transparent PVC.

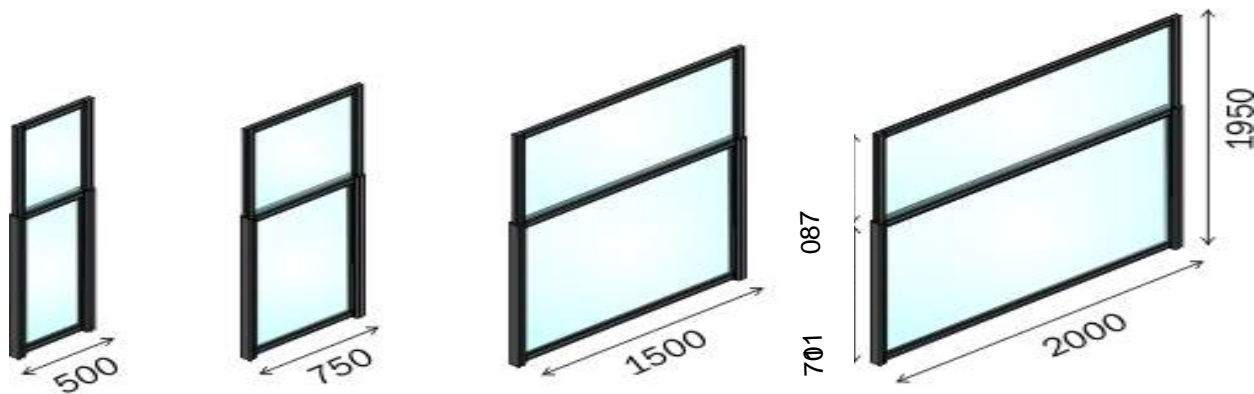
**STRUCTURES**

Modules in robust profiles of extruded aluminium, epoxy-bake painted and specially treated for external utilization. The module upper panel is servo-assisted by gas operated springs (patent by Star Progetti). In this way the upper panel can be either completely lowered or raised to the maximum height easily and without any effort. Rubber gasket between module and floor, exclusively when fixed to a normal floor and not suitable for the installation on elevated technical floor. To be stated in the order. STANDARD COLOUR : MICACEOUS IRON – WHITE.

**GLASS OF THE PANELS**

- Lower panel of the safety fixed module made in stratified 3+3 transparent glass.  
Optional: frosted
- Upper sliding panel made in safety glass in thickness 3+3 mm.

**MODULES in Height 195 cm – Cast Iron Colour NEW WITH 3 ADJUSTABLE HEIGHTS OF THE UPPER GLASS**



CODE **SG0402009FM**  
CODE **SG0403009B**

Dimensions 50x195 cm

**EURO 389,00**

CODE **SG0302009FM**  
CODE **SG0303009B**

Dimensions 75x195 cm

**EURO 427,00**

CODE **SG0202009FM**  
CODE **SG0203009B**

Dimensions 150x195 cm

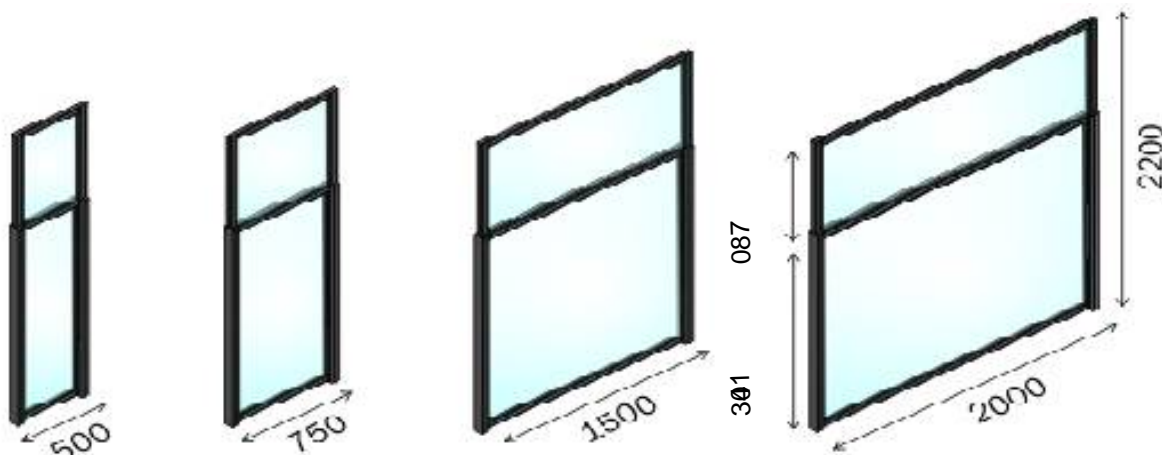
**EURO 542,00**

CODE **SG0102009FM**  
CODE **SG0103009B**

Dimensions 200x195 cm

**EURO 606,00**

**MODULES in Height 220 cm – Cast Iron Colour NEW WITH 3 ADJUSTABLE HEIGHTS OF THE UPPER GLASS**



CODE **SG0802009FM**  
CODE **SG0803009B**

Dimensions 50x220 cm

**EURO 426,00**

CODE **SG0702009FM**  
CODE **SG0703009B**

Dimensions 75x220 cm

**EURO 466,00**

CODE **SG0602009FM**  
CODE **SG0603009B**

Dimensions 150x220 cm

**EURO 606,00**

CODE **SG0502009FM**  
CODE **SG0503009B**

Dimensions 200x220 cm

**EURO 671,00**

MODULE in Height 170 cm - Colours: Cast Iron - White



CODE **SG1202009FM**  
CODE **SG1203009B**  
Dim.: cm 50x170

**EURO 428,00**

CODE **SG1102009FM**  
CODE **SG1103009B**  
Dim.: cm 75x170

**EURO 477,00**

CODE **SG1002009FM**  
CODE **SG1003009B**  
Dim.: cm 150x170

**EURO 597,00**

CODE **SG0902009FM**  
CODE **SG0903009B**  
Dim.: cm 200x170

**EURO 667,00**

MODULE in Height 188 cm - Colours: Cast Iron or White



CODE **SG1602009FM**  
CODE **SG1603009B**  
Dim.: cm 50x188

**EURO 428,00**

CODE **SG1502009FM**  
CODE **SG1503009B**  
Dim.: cm 75x188

**EURO 477,00**

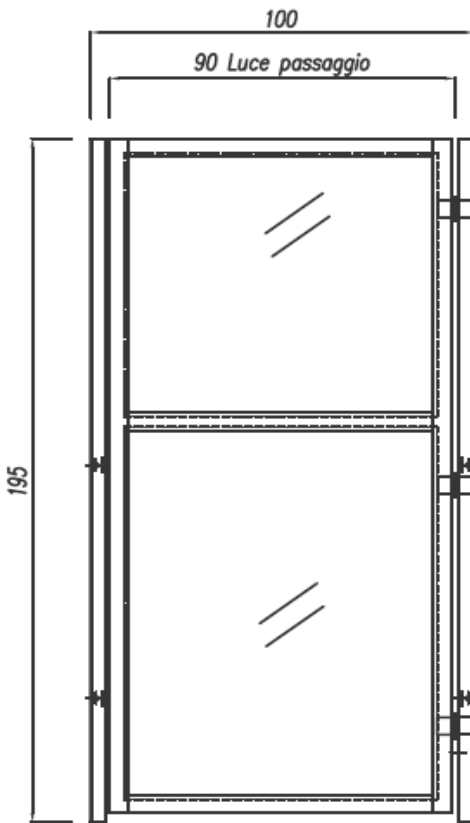
CODE **SG1402009FM**  
CODE **SG1403009B**  
Dim.: cm 150x188

**EURO 597,00**

CODE **SG1302009FM**  
CODE **SG1303009B**  
Dim.: cm 200x188

**EURO 667,00**

## SINGLE DOOR KIT 1 - SIZE 100X195 (h) – FOR 195 cm HIGH MODULES



Profile in aluminium, Standard model.

The single 90 cm SPAN door kit consists of the following parts:

- . n. 3 hinges
- . Transparent tempered glass in 4 mm thickness
- . n. 2 lateral sail shaped stabilizers
- . n. 2 chrome-plated knobs
- . n. 1 door lock pedal
- . Lock with key
- . n. 2 stickers with the writing Push/Pull

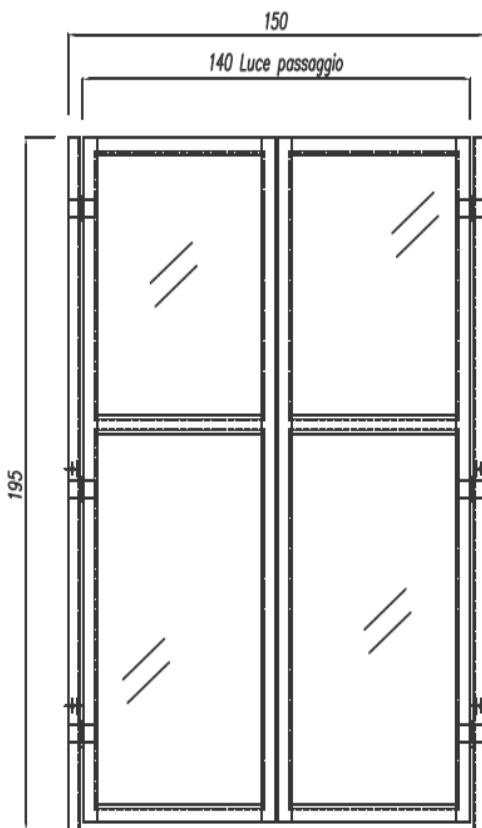
DOOR KIT FORSEEN FOR TERRACES UNDER PARASOLS AND AWNINGS; OPENING EITHER INWARDS OR OUTWARDS ACCORDING TO THE INSTALLATION MADE

COD. SG3802009FM

**EURO 420,00**

COD. SG3803009B

## DOUBLE DOOR KIT 2 - SIZE 150x195 (h) – FOR 195 cm HIGH MODULES



Profile in aluminium, Standard model.

The double 140 cm SPAN door kit consists of the following parts:

- . n. 6 hinges
- . Transparent tempered glass in 4 mm thickness
- . n. 2 lateral sail shaped stabilizers
- . n. 2 chrome-plated knobs
- . n. 2 door lock pedals
- . Lock with Key
- . n. 4 stickers with the writing Push/Pull

DOOR KIT FORSEEN FOR TERRACES UNDER PARASOLS AND AWNINGS; OPENING EITHER INWARDS OR OUTWARDS ACCORDING TO THE INSTALLATION MADE

COD. SG3902009FM

**EURO 640,00**

COD. SG3903009B

## OASIdehor® UP & DOWN is also electric now:



As from now, together with the servoassisted UP&DOWN Line you can purchase the new Electric UP&DOWN manufactured by STAR PROGETTI.

The ELECTRIC UP&DOWN works with a sliding upper glass powered by two 24 volt motors. The main feature of this model is the easy adjustment of the glass at the height level required by simply clicking.

The 24 volt wiring guarantees a maximum of safety in outdoor use. All other features and dimensions of the ELECTRIC UP & DOWN are the same as for the servoassisted line. The ELECTRIC UP&DOWN has been designed for the most demanding business owners who want to offer their clientele and elegant environment and a flexible feeling of wellness.

### Technical Features

Maximum Height of the modules 2,15 m, minimum height 1,30 m.



Keypad membrane

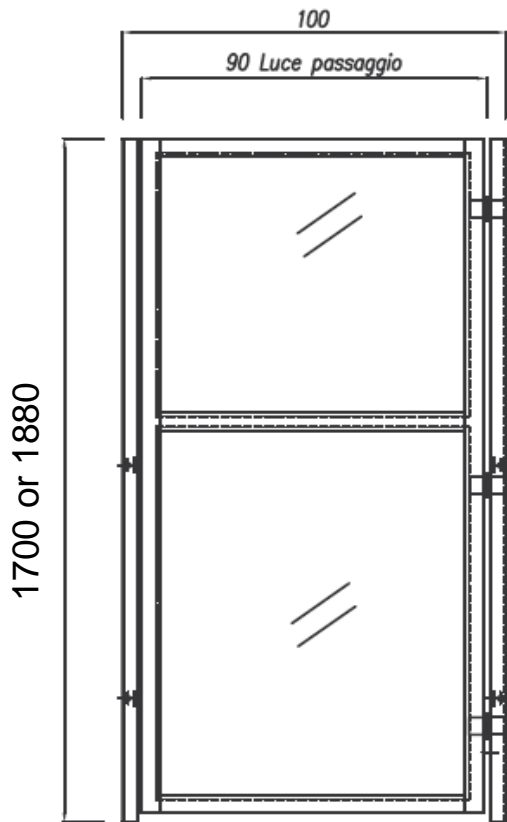
	75cm	150cm	200cm
<b>UNIT PRICE</b>	<b>751 €</b>	<b>891 €</b>	<b>956 €</b>
<b>CAST IRON</b>	<b>SG5702009</b>	<b>SG5602009</b>	<b>SG5502009</b>
<b>WHITE</b>	<b>SG5703009</b>	<b>SG5603009</b>	<b>SG5503009</b>

**24V transformer (one for each 7 modules)**

**Code SG24V**

**€150,00**

SINGLE DOOR KIT 1 - SIZE 100X170 cm (h) - SIZE 100X188 cm (h)



Profile in aluminium, Standard model.

The single 90 cm SPAN door Kit consists of the following parts:

- . n. 3 hinges
- . Transparent tempered glass in 4 mm thickness
- . n. 2 lateral sail shaped stabilizers
- . n. 2 chrome-plated knobs
- . n. 1 door lock pedal
- . Lock with key
- . n. 2 Stickers Push/Pull

DOOR KIT FORSEEN FOR TERRACES UNDER PARASOLS AND AWNINGS.

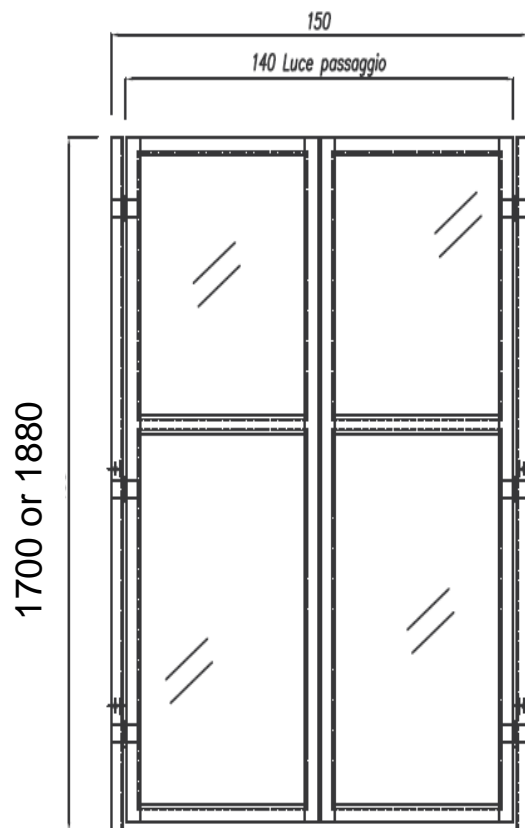
OPENING EITHER INWARDS OR OUTWARDS ACCORDING TO THE INSTALLATION MADE

H 170CM  
 COD. SG4602009FM  
 COD. SG4603009B

H 188 CM  
 COD. SG4702009FM  
 COD. SG4703009B

**EURO 459,00**

DOUBLE DOOR KIT 2 - SIZE 150X170 cm (h) - SIZE 150X188 cm (h)



Profile in aluminium Standard model

The double 140 cm long SPAN door kit consists of the following parts:

- . n. 6 hinges
- . Transparent tempered glass in 4 mm thickness
- . n. 2 lateral sail shaped stabilizers
- . n. 2 chrome-plated knobs
- . n. 2 door lock pedals
- . Lock with key
- . n. 4 stickers with the writing Push/Pull

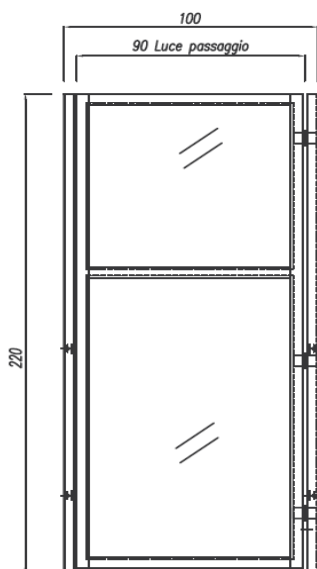
DOOR KIT FORSEEN FOR TERRACES UNDER PARASOLS AND AWNINGS; OPENING EITHER INWARDS OR OUTWARDS ACCORDING TO THE INSTALLATION MADE

H 170CM  
 COD. SG5302009FM  
 COD. SG5303009B

H 188 CM  
 COD. SG5402009FM  
 COD. SG5403009B

**EURO 704,00**

## SINGLE DOOR KIT 1 - HEIGHT 220 CM - SIZE: 100x220 CM (h)



Profile in aluminium, Standard model.  
The single 90 cm SPAN door kit consists of the following parts:

- . n. 3 hinges
- . Transparent tempered glass in 4 mm thickness
- . n. 2 lateral sail shaped stabilizers
- . n. 2 chrome-plated knobs
- . n. 1 door lock pedal
- . Latch and padlock
- . n. 2 stickers with the writing Push/Pull

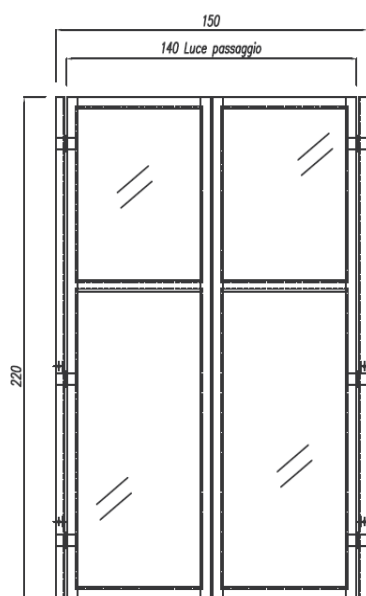
DOOR KIT FORSEEN FOR TERRACES UNDER PARASOLS AND AWNINGS **WITH ROOF**; OPENING EITHER INWARDS OR OUTWARDS ACCORDING TO THE INSTALLATION MADE

**COD. SG4102009**  
(CAST IRON COLOUR)

**EURO 465,00**

**COD. SG4103009**  
(WHITE)

## DOUBLE DOOR KIT 2 - SIZE 150x220 (h) - FOR 220 cm HIGH MODULES



Profile in aluminium, Standard model.  
The double 140 cm SPAN door kit consists of the following parts:

- . n. 6 hinges
- . Transparent tempered glass in 4 mm thickness
- . n. 2 lateral sail shaped stabilizers
- . n. 2 chrome-plated knobs
- . n. 2 door lock pedals
- . Latch and padlock
- . n. 4 stickers with the writing Push/Pull

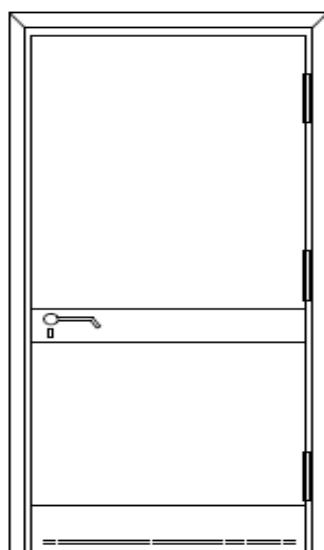
DOOR KIT FORSEEN FOR TERRACES UNDER PARASOLS AND AWNINGS **WITH ROOF**; OPENING EITHER INWARDS OR OUTWARDS ACCORDING TO THE INSTALLATION MADE

**COD. SG4202009**  
(CAST IRON COLOUR)

**EURO 679,00**

**COD. SG4203009**  
(WHITE)

## DOOR KIT N. 3 - HEIGHT 220 CM - SIZE 105x220 CM (h)



Window-frame like Profile in aluminium

One shutter door including:

- . handle – key lock
- . Stratified 3+3 transparent glass
- . Sticker with the writing Push/Pull
- . n. 3 hinges
- . n. 2 lateral upright rods

DOOR KIT FORESEEN ONLY FOR CLOSED TERRACES WITH AN HEIGHT OF 220 CM WITH ROOF  
OPENING EITHER INWARDS OR OUTWARDS ACCORDING TO THE INSTALLATION MADE

**COD. SG402009FM**  
(CAST IRON COLOUR)

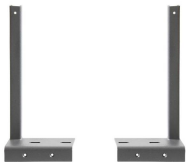
**EURO 669,00**

**COD. SG403009B**  
(WHITE)

OPTIONAL ACCESSORY  
PANIC HANDLE

**COD. GMANAPAN**

**EURO 135,00**



Couple of supports for installation on technical floor (one right and one left)

COD. SG3602109FM

**EURO 47,00**



Couple of supports for installation on ground (one right and one left)  
FOR ANGLES USE ONLY ONE SUPPORT

COD. SG3502109FM

**EURO 47,00**



Couple of removable supports for installation on the floor (right and left)

COD. SG5202109

**EURO 47,00**



1 Set of linear couplings between one module and the other (between two modules you should put nr. 2 sets)

COD. SG3202109FM  
COD. SG3203109B

**EURO 13,00**



Set of couplings for corners between one module and the other (between 2 modules you should put nr. 2 sets)

COD. SG3302109FM  
COD. SG3303109 B

**EURO 13,00**



Angle profile including upper stopper (height 195 cm)  
Angle profile including upper stopper (height 220 cm)

COD. SG3002109FM  
COD. SG3003109B  
(195 cm h)

COD. SG4502109FM  
COD. SG4503109B  
(188 cm h)

COD. SG5002109FM  
COD. SG5003109B  
(170 cm h)

**EURO 37,00**

COD. SG3102109FM  
COD. SG3103109B  
(220 cm h)

**EURO 41,00**

**Optional It is possible to have this angle profile in two parts, with a removable upper part so as to have the screens all at the same level when the screens are all down**

**NEW Option EURO 60,00**



Lateral Sail Shaped Transversal stabilizer

H 195 CM et 220CM  
COD. SG3702109FM  
COD. SG3703109B

H 170 CM et 188CM  
COD. SG4802109FM  
COD. SG4803109B

**EURO 58,00**



H 195 CM et 220CM  
COD. SG4302109FM  
COD. SG4303109B

H 170 CM et 188CM  
COD. SG4902109FM  
COD. SG4903109B

**EURO 58,00**

**PRICE LIST QUOTATIONS INCLUDE THE "ANTI-AIRSTREAM" TRANSPARENT GASKETS BETWEEN ONE MODULE AND THE OTHER TO BE INSERTED IN THE UPPER PART DURING THE COLD SEASON.**

**WARNING**

- > The installation should be made either on a flat level surface or a technical floor.
- > The modules should be fixed to the ground by our telescopic supports enabling also minimum adjustments.



## ADDITIONAL NOTES ON THE PRICE LIST

- >SPECIAL DIMENSIONS CONCERNING WIDTH ONLY: ADDITIONAL COST + 20%
- >RAL SPECIAL COLOURS MINIMUM 10 MODULES = SUPPLEMENT + 30%
- >FROSTED LOWER PANEL: ADDITIONAL COST + 5%
- >THE PANIC HANDLE IS POSSIBLE ONLY FOR DOOR KIT3
- >THE SPECIAL TRANSPARENT ANTI-DRAFT RUBBER GASKET IS INCLUDED IN THE CONSIGNEMENT OF SCREENS
- >THE SPECIAL RUBBER GASKET TO BE PUT BETWEEN ONE MODULE AND THE FLOOR SHOULD BE REQUESTED WHEN YOU PLACE THE ORDER COD. SG37 (IN CASE THE MODULES ARE NOT FIXED ON A TECHNICAL FLOOR) IN ORDER TO CLOSE EVENTUAL SMALL OPENINGS

>COST FOR THE APPLICATION OF EVENTUAL FROSTED LIKE OR COLOURED STICKERS IN THE LOWER PANEL OF THE 195 CM HIGH MODELS (n. 7 10 cm high bands) :

Models height 195 cm	Models height 220 cm
-200 cm wide screen: 102 €	117,30 €
-150 cm wide screen: 91,80 €	105,06 €
- 75 cm wide screen: 45,90 €	53,04 €
- 50 cm wide screen: 30,60 €	35,70 €

## SALE TERMS

**EVENTUAL DISCOUNTS DO NOT APPLY ON EVENTUAL ADDITIONAL COSTS, STICKERS AND TRANSPORT CHARGES**

- Delivery time** • 15-20 working days from order confirmation
- Warranty** • 2 years, except for damages caused by natural or exceptional calamities, vandalism, supports excluded.
- Packing** • Included, in wooden crates
- Goods delivered** • Ex works Tribiano (MI) or free delivered with invoiced transport cost.
- Receipt of goods** • We ask our kind customer to check, on delivery of the goods, that the packages delivered correspond to those stated in the transport document (delivery note) and their integrity in every part. In case of the contrary, we ask also to ascertain in front of the forwarder any anomaly/defect and to write it down on both copies of the delivery note (the one for you and the one for the driver); otherwise, any claim and reimbursement for damage will not be accepted.
- Returns of goods** • We will not accept said claims unless a note on the transport document has been written and sent to us by fax to n°: +39 02 90 63 92 62. It is expressly forbidden, excepted for written agreements, to return us any goods that have not been sold or have been purchased by mistake.
- Project Consulting** • Included
  - Instructions and assembling wrenches included in delivery
- Bank details** • **UNICREDIT CORPORATE BANKING, Branch Milano S. Gottardo,**  
**IBAN: IT82G0200801604000500061888**
- Validity** • Up to 31/12/2017 excepted for new issues and/or errors